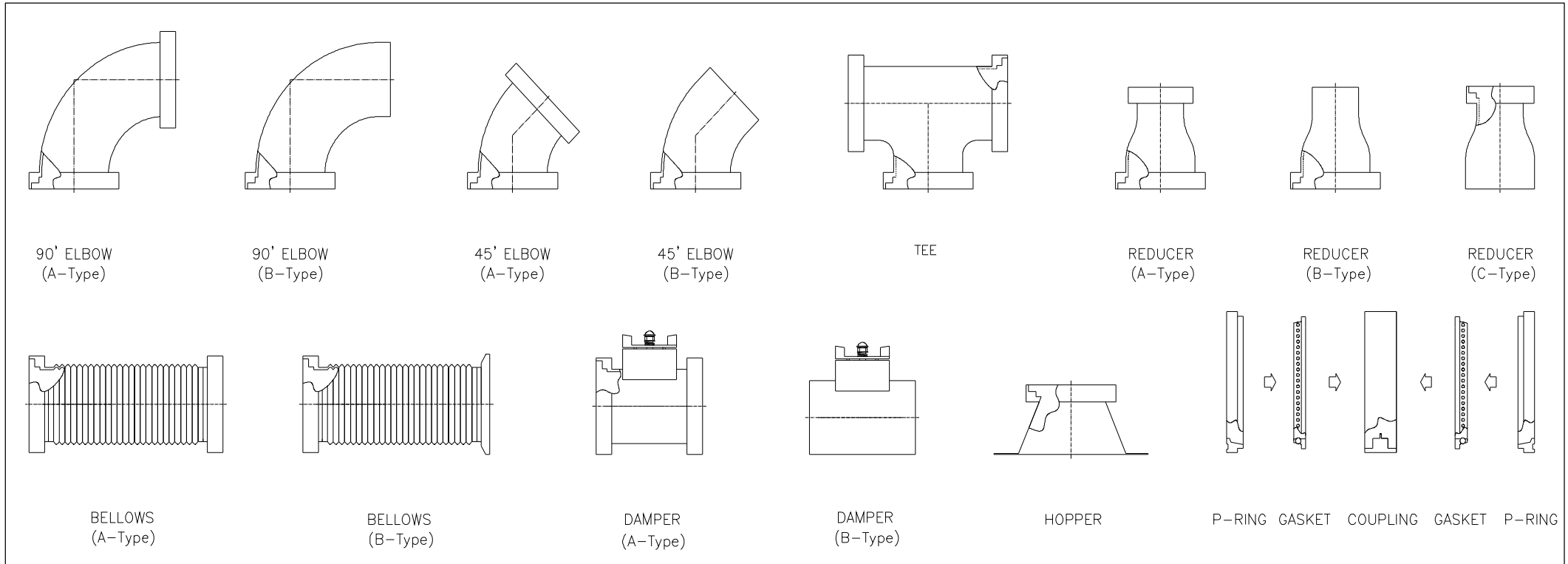


t ASSEMBLE JOINT 중량표 (단위 : g/EA)

- STS304 PIPE ERW SCHIOS(KSD3576)



규격	90° Elbow		45° Elbow		TEE	Bellows		Damper		Hopper	Coupling	P-Ring	Blind	Gasket	Reducer		
	A-Type	B-Type	A-Type	B-Type		A-Type	B-Type	A-Type	B-Type						A-Type	B-Type	C-Type
40A	739	510	599	370	1,159	-	-	-	-	-	291	135	200	29	-	-	-
50A	1,029	754	789	514	1,463	-	-	-	-	-	347	160	259	33	774	544	500
65A	1,481	1,145	1,076	740	2,036	-	-	-	-	-	422	194	349	42	1,040	765	704
80A	1,965	1,553	1,395	983	2,588	-	-	-	-	-	523	250	516	49	1,278	943	865
100A	3,182	2,576	2,197	1,591	3,937	-	-	-	-	-	798	406	844	111	1,768	1,356	1,163
125A	4,875	4,147	3,165	2,437	4,002	-	-	-	-	-	966	484	1,131	140	2,653	2,047	1,926
150A	6,763	5,816	4,328	3,381	7,529	-	-	-	-	-	1,262	616	1,519	191	3,424	2,696	2,477
200A	12,438	11,219	7,438	6,219	12,558	-	-	-	-	-	1,611	624	2,313	244	5,016	4,069	3,796